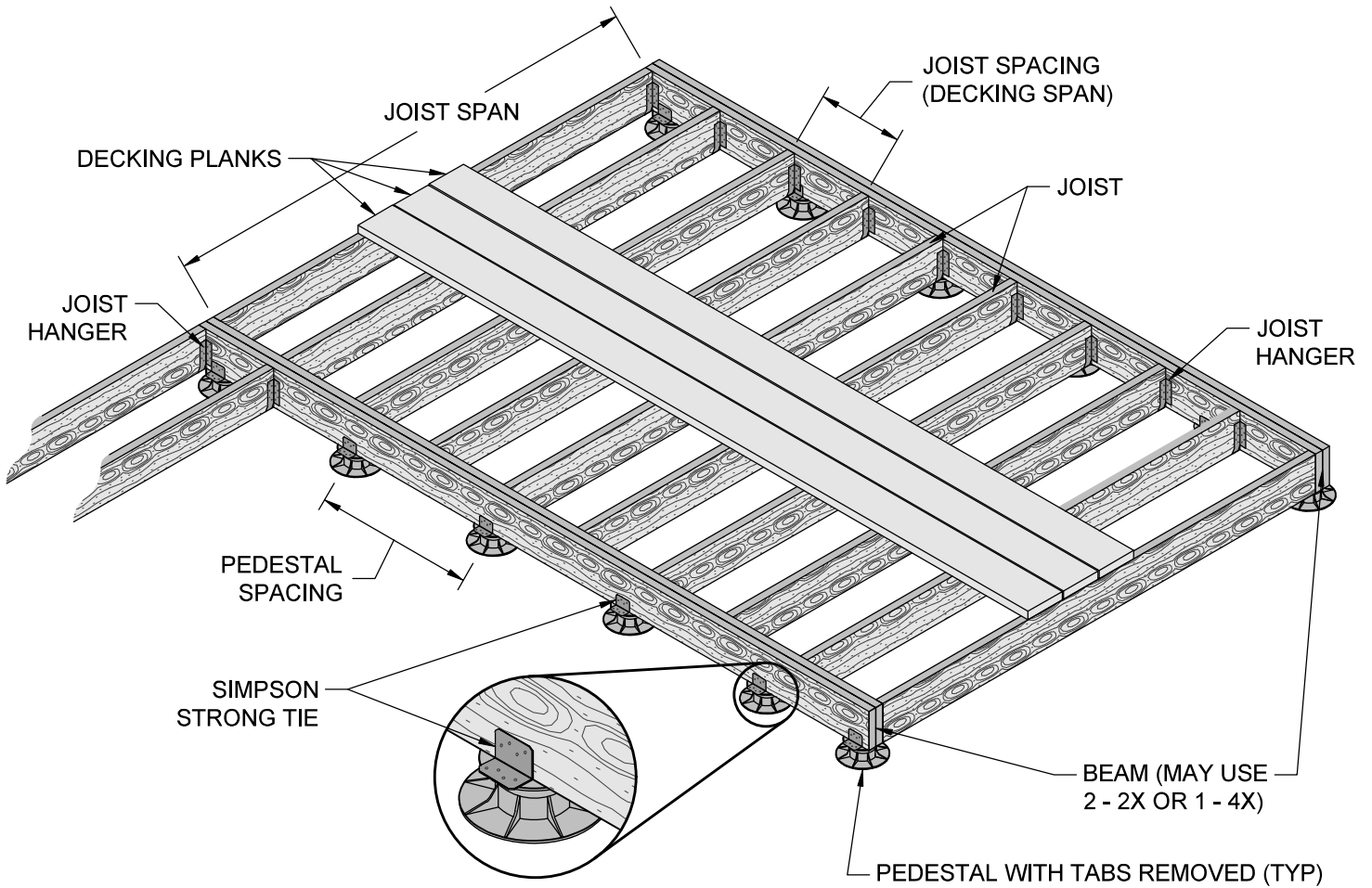


GENERAL NOTES: APPLY TO ALL OF THE BELOW PRODUCTS:

1. INSTALLATION MUST BE COMPLETED IN ACCORDANCE WITH MANUFACTURER SPECIFICATIONS.
2. DRAWINGS NOT TO SCALE.
3. CONTRACTOR'S NOTE: FOR PRODUCT AND COMPANY INFORMATION VISIT: www.belgardcommercial.com



12" O.C. JOIST SPACING (DECKING SPAN)			
JOIST SIZE	JOIST SPAN	BEAM SIZE	PEDESTAL SPACING
2X6	10' - 0"	4x6 OR (2) 2x6	24" O.C.
2X8	13' - 2"	4x8 OR (2) 2x8	24" O.C.
2X10	16' - 10"	4X10 OR (2) 2x10	24" O.C.
16" O.C. JOIST SPACING (DECKING SPAN)			
JOIST SIZE	JOIST SPAN	BEAM SIZE	PEDESTAL SPACING
2X6	9' - 1"	4x6 OR (2) 2x6	24" O.C.
2X8	12' - 0"	4x8 OR (2) 2x8	24" O.C.
2X10	15' - 2"	4X10 OR (2) 2x10	24" O.C.
24" O.C. JOIST SPACING (DECKING SPAN)			
JOIST SIZE	JOIST SPAN	BEAM SIZE	PEDESTAL SPACING
2X6	7' - 11"	4x6 OR (2) 2x6	24" O.C.
2X8	10' - 2"	4x8 OR (2) 2x8	24" O.C.
2X10	12' - 5"	4X10 OR (2) 2x10	24" O.C.

NOTE: DECKING AND JOIST SPANNING CAPABILITIES VARY DEPENDING ON THE TYPE OF WOOD OR COMPOSITE MATERIALS BEING USED. CODE REQUIREMENTS ALSO VARY PER LOCATION. FOR THESE REASONS, THIS DIAGRAM AND CHART ARE FOR CONVENIENCE ONLY, AND IT IS THE INSTALLERS RESPONSIBILITY TO ENSURE THE DECK MEETS CODE REQUIREMENTS.

***CHARTS ARE SHOWN USING HEM-FIR #2 LUMBER OR BETTER.