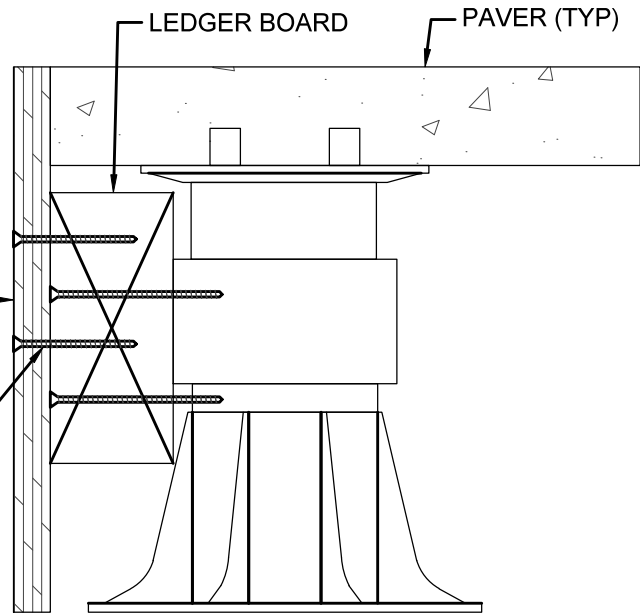


**NOTE:** BOTTOM OF FASCIA BOARD MAY BE CUT ABOVE SUBSTRATE TO ALLOW WATER TO ESCAPE. FASCIA BOARD MUST FULLY CONTAIN PAVERS, AND MUST TIE BACK INTO A BUILDING WALL OR PARAPET.

FASCIA BOARD FLUSH WITH TOP OF PAVER

STAINLESS STEEL OR DECKING SCREWS



**WOOD FASCIA CONTAINMENT**

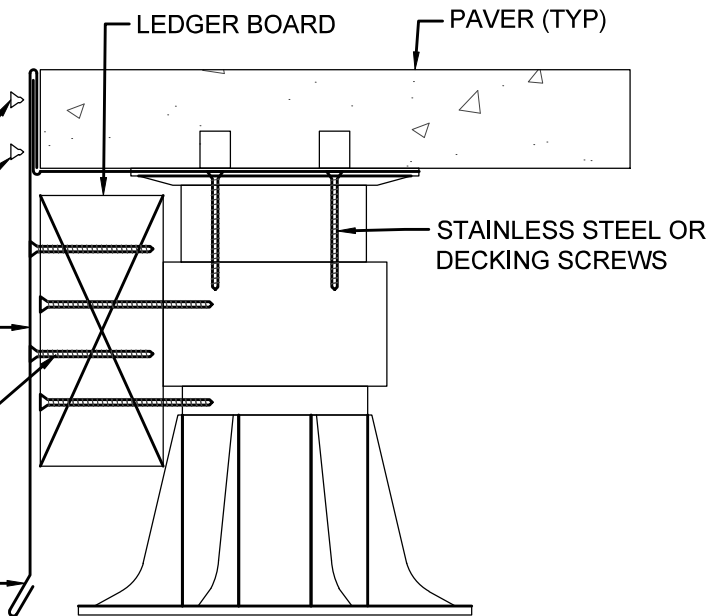
**NOTE:** BOTTOM OF METAL CONTAINMENT MAY BE BENT OR CUT ABOVE SUBSTRATE TO ALLOW WATER TO ESCAPE. METAL CONTAINMENT MUST FULLY CONTAIN PAVERS, AND MUST TIE BACK IN TO A BUILDING WALL OR PARAPET.

FASTENERS PLACED AT JOINTS BETWEEN PAVERS

TWO PIECE EDGE METAL

STAINLESS STEEL OR DECKING SCREWS

22 GA. GALVANIZED OR PRE-FINISHED METAL



**METAL FLASHING CONTAINMENT**

**GENERAL NOTES:** APPLY TO ALL OF THE ABOVE PRODUCTS

1. INSTALLATION MUST BE COMPLETED IN ACCORDANCE WITH MANUFACTURER SPECIFICATIONS.
2. DRAWINGS NOT TO SCALE.
3. CONTRACTOR'S NOTE: FOR PRODUCT AND COMPANY INFORMATION VISIT: [www.belgardcommercial.com](http://www.belgardcommercial.com)