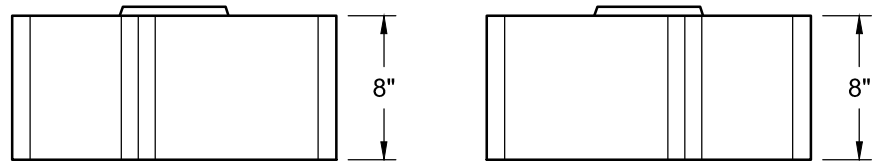
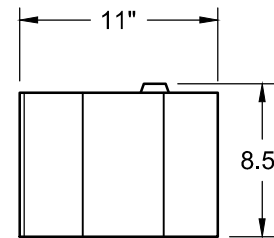


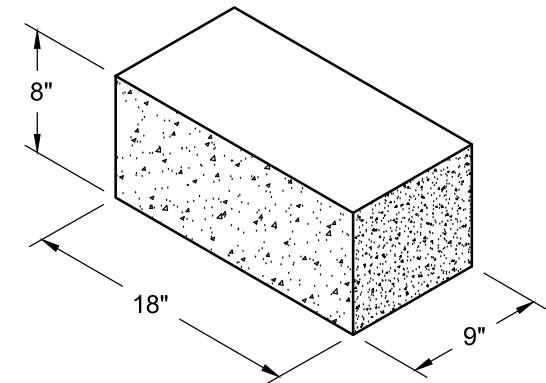
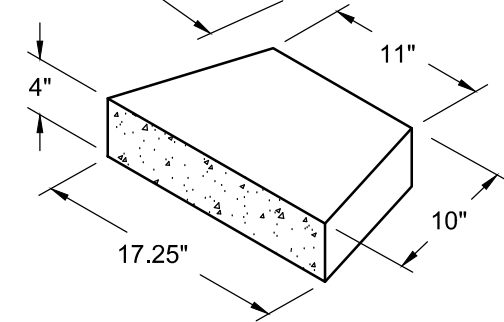
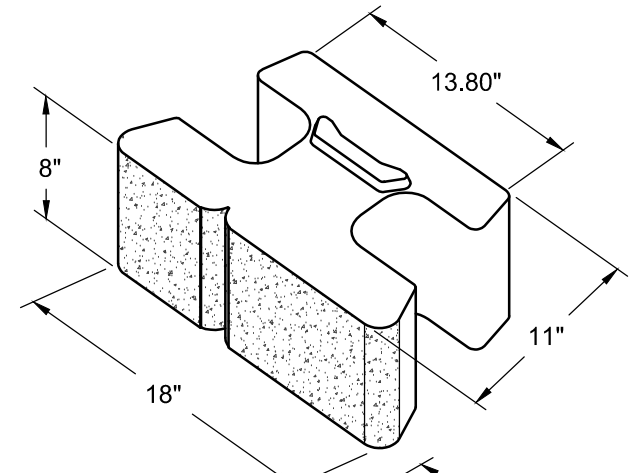
TOP VIEW



FRONT VIEW



SIDE VIEW



This drawing is for illustrative purposes only and should not be used for construction without the signature of a registered professional engineer.

www.anchordiamond.com
 © 2023 ANCHOR Engineering, LLC®
 and © 2023 ANCHOR DIAMOND Group. All rights reserved

Vertica® Retaining Wall System

Individual Block Details - Virtual Joint

Scale:
3/8" = 1'-0"

Drawn by:
DA

Date:
10/5/2023

Drawing number:
VT36