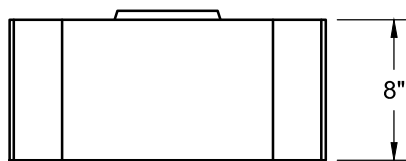
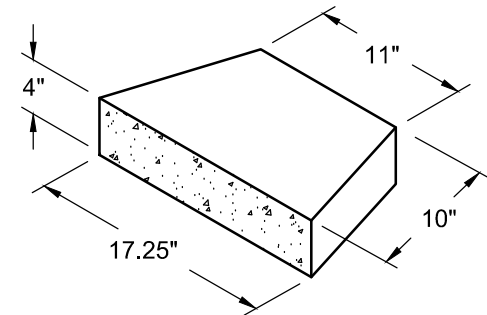
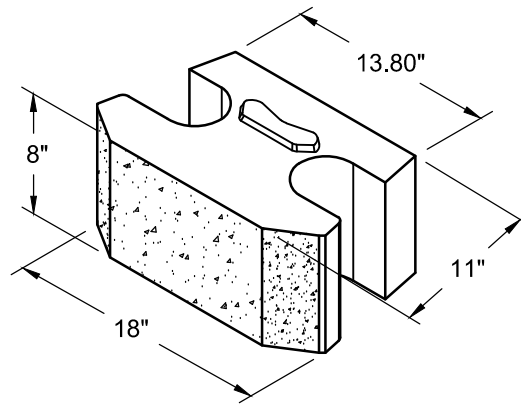
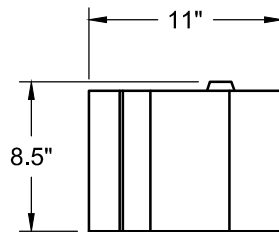


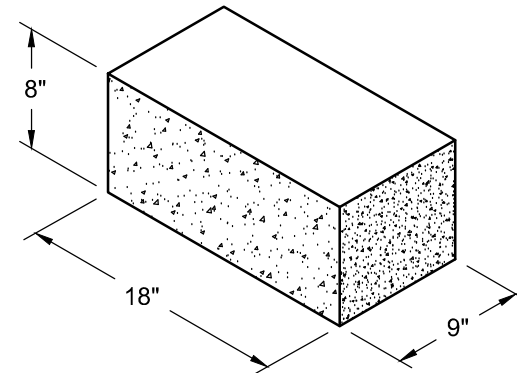
TOP VIEW



FRONT VIEW



SIDE VIEW



This drawing is for illustrative purposes only and should not be used for construction without the signature of a registered professional engineer.

www.anchordiamond.com  
 © 2023 ANCHOR Engineering, LLC®  
 and © 2023 ANCHOR DIAMOND Group. All rights reserved

## Vertica® Retaining Wall System

### Individual Block Details - Beveled Face

Scale:	Custom	Drawn by:	DA
Date:	10/5/2023	Drawing number:	VT33