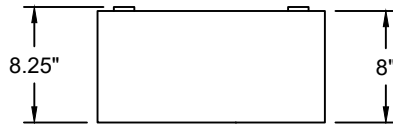
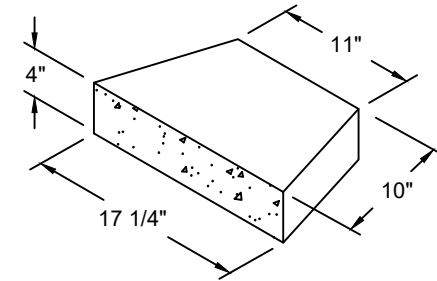
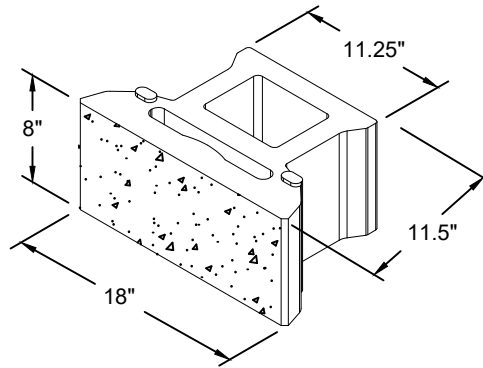
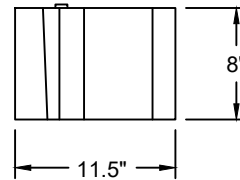


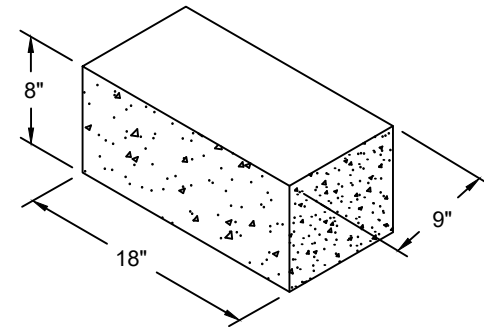
TOP VIEW



FRONT VIEW



SIDE VIEW



This drawing is for illustrative purposes only and should not be used for construction without the signature of a registered professional engineer.

www.anchordiamond.com
 © 2023 ANCHOR Engineering, LLC®
 and © 2023 ANCHOR DIAMOND Group. All rights reserved

GeoHold® Retaining Wall System

STRAIGHT INDIVIDUAL BLOCK DETAILS

Scale:	Drawn by:
3/8" = 1'-0"	EL
Date:	Drawing number:
3/15/2023	GH34