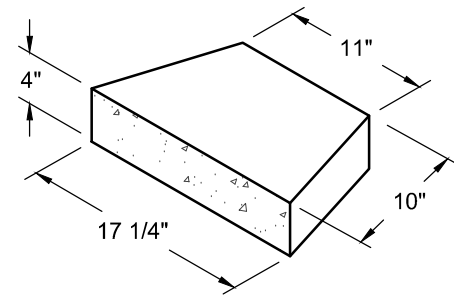
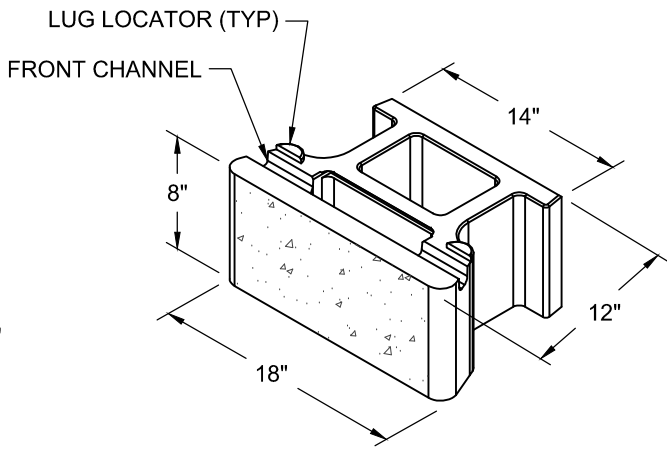
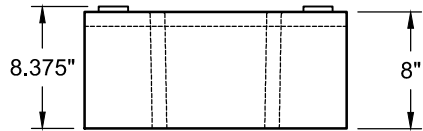


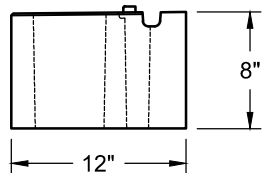
TOP VIEW



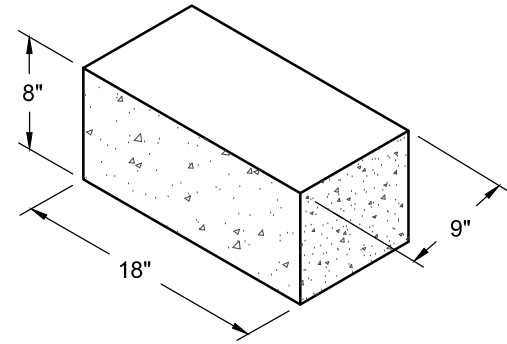
CAP UNIT
(MAY VARY BY MANUFACTURER)



FRONT VIEW



SIDE VIEW



CORNER UNIT
(MAY VARY BY MANUFACTURER)



This drawing is for illustrative purposes only and should not be used for construction without the signature of a registered professional engineer.

www.anchordiamond.com
 © 2023 ANCHOR Engineering, LLC®
 and © 2023 ANCHOR DIAMOND Group. All rights reserved

GeoHold Pro Retaining Wall System

Straight Unit

Scale:	None	Drawn by:	DA
Date:	9/28/2023	Drawing number:	GHP34