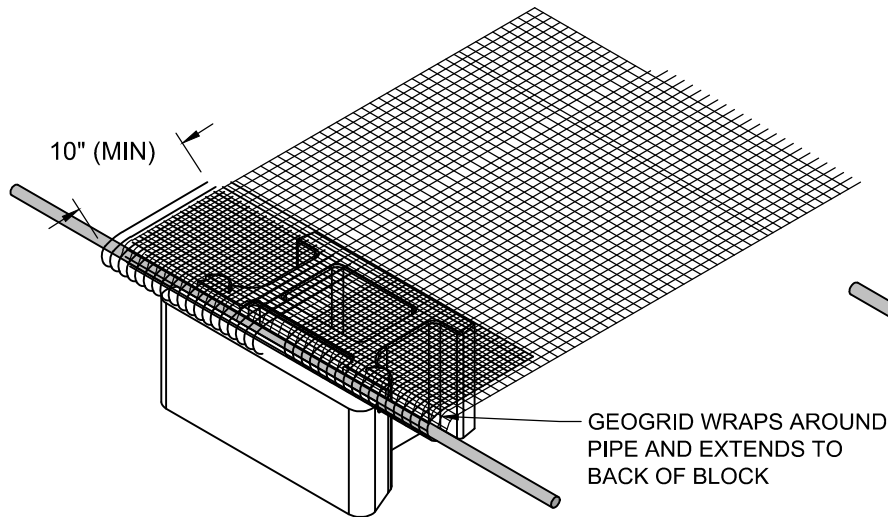
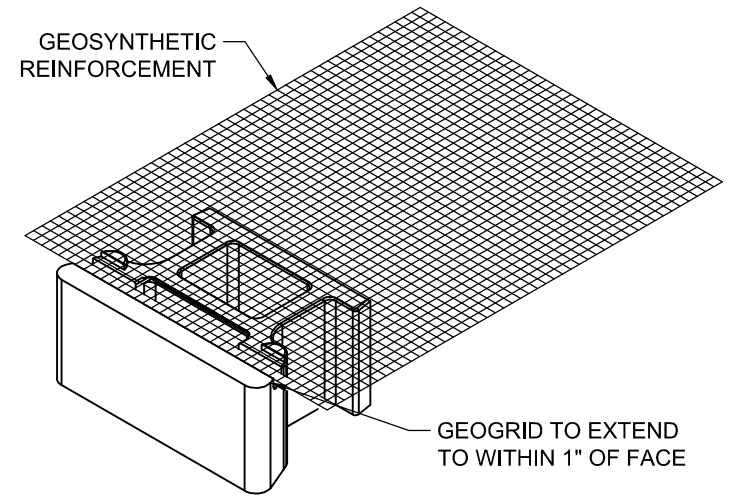
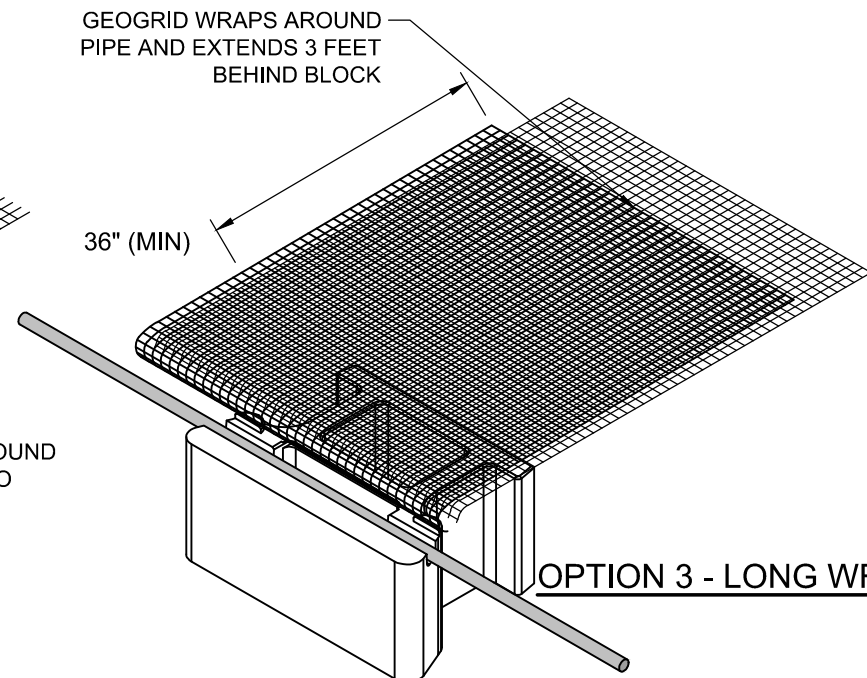


OPTION 1 - NO PIPE



OPTION 2 - SHORT WRAP



OPTION 3 - LONG WRAP



This drawing is for illustrative purposes only and should not be used for construction without the signature of a registered professional engineer.

www.anchordiamond.com

© 2023 ANCHOR Engineering, LLC®
and © 2023 ANCHOR DIAMOND Group. All rights reserved

GeoHold Pro Retaining Wall System Reinforcement Connection Details

Scale:	None	Drawn by:	DA
Date:	9/28/2023	Drawing number:	GHP26