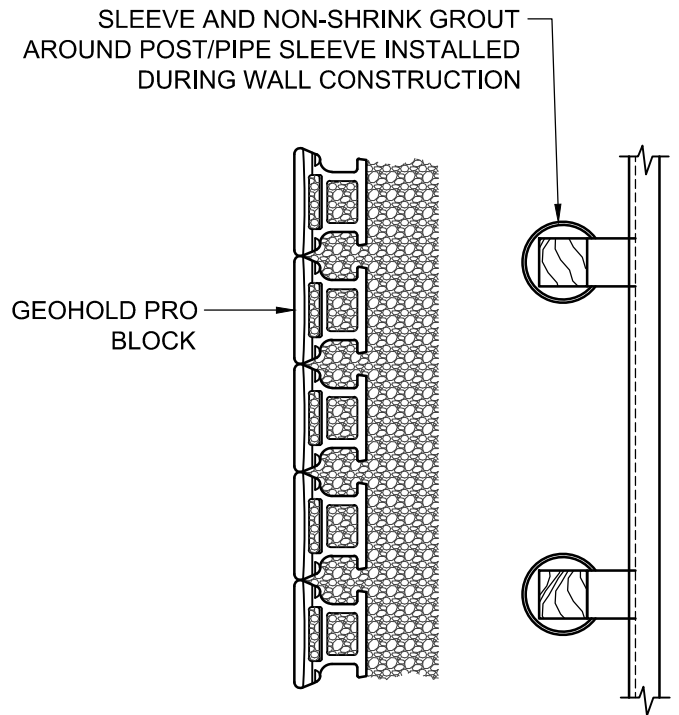


SECTION VIEW



PLAN VIEW



This drawing is for illustrative purposes only and should not be used for construction without the signature of a registered professional engineer.

www.anchordiamond.com

© 2023 ANCHOR Engineering, LLC®  
and © 2023 ANCHOR DIAMOND Group. All rights reserved

## GeoHold Pro Retaining Wall System

### Typical Guide Rail Detail

Scale:	None	Drawn by:	DA
Date:	07/24/23	Drawing number:	GHP09