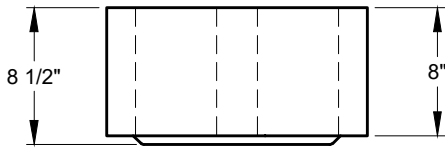
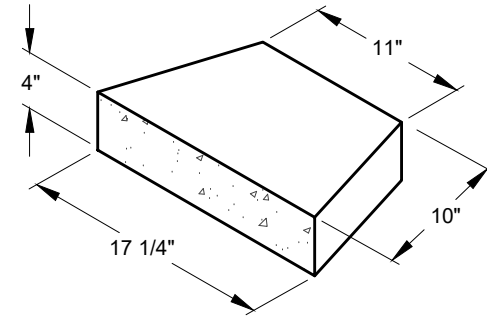
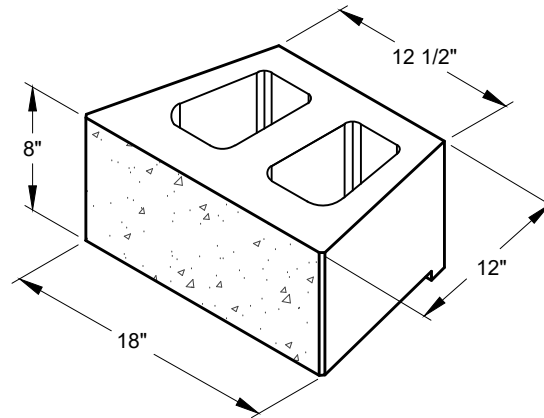
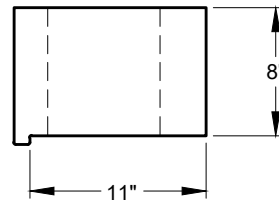


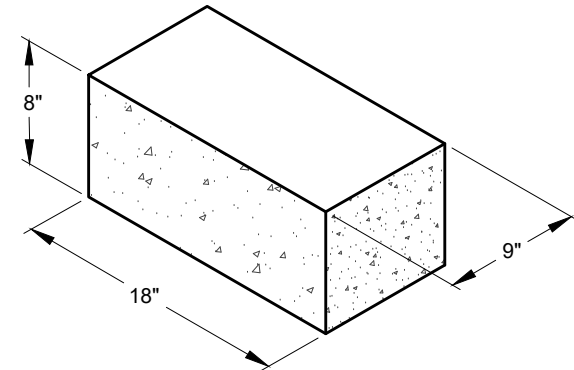
TOP VIEW



FRONT VIEW



SIDE VIEW



**ANCHOR**  
DIAMOND

This drawing is for illustrative purposes only and should not be used for construction without the signature of a registered professional engineer.

[www.anchordiamond.com](http://www.anchordiamond.com)

© 2022 ANCHOR Engineering, LLC® and © 2022 ANCHOR DIAMOND®

Diamond Pro® Retaining Wall System

Individual Block Details - Quarried Face

Scale:	Drawn by:
3/8" = 1'-0"	SB
Date:	Drawing number:
8/8/2022	DP37