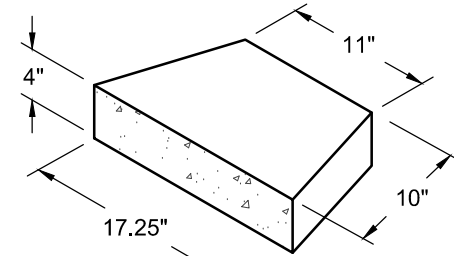
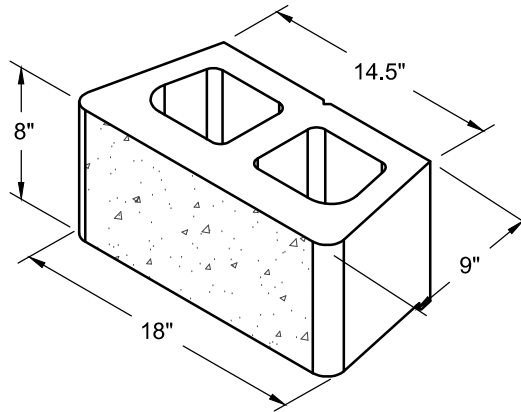


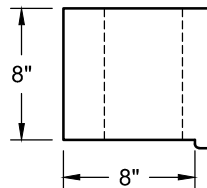
TOP VIEW



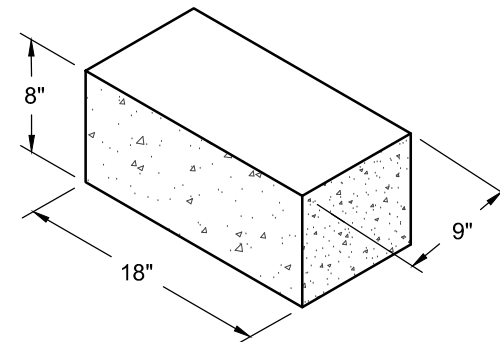
CAP UNIT



FRONT VIEW



SIDE VIEW



CORNER UNIT



This drawing is for illustrative purposes only and should not be used for construction without the signature of a registered professional engineer.

www.anchordiamond.com

© 2023 ANCHOR Engineering, LLC®
and © 2023 ANCHOR DIAMOND Group. All rights reserved

Diamond Pro 9D Retaining Wall System

Straight Unit

Scale: None	Drawn by: DA
Date: 10/2/23	Drawing number: DP9D34