



BACKED BY  
**ANCHOR**  
DIAMOND  
INDUSTRY EXPERTS



# MELVILLE TANDEM™

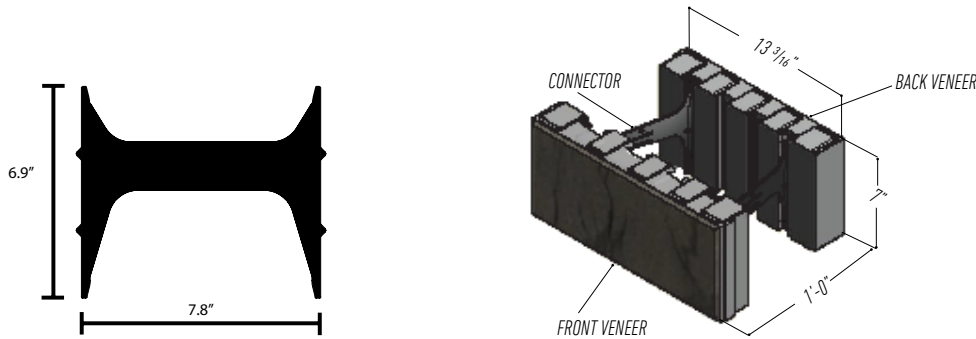
## WALL SYSTEM

INNOVATIVE, VERSATILE SYSTEM PROVIDES THE APPEARANCE OF NATURAL STONE THAT COMPLEMENTS ANY HARDSCAPE

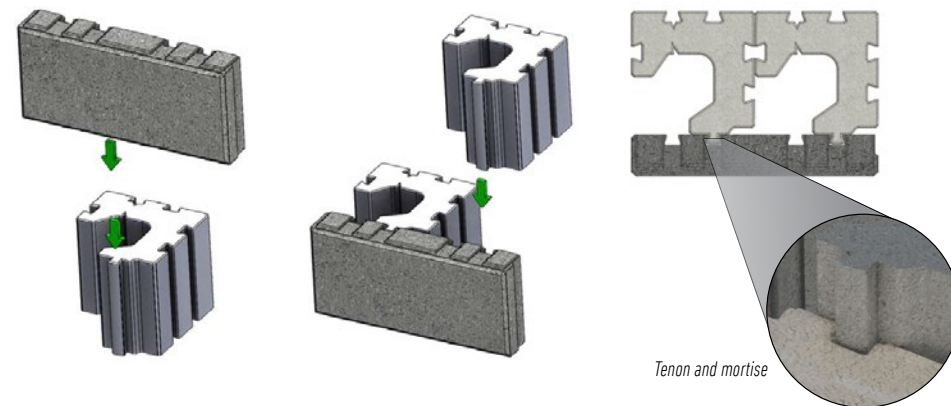
### ✓ FEATURES & BENEFITS

- Distinctive chiseled stone texture manufactured to consistent height tolerances
- Build curved or straight walls
- Offered in 3 sizes to allow for design versatility and customization
- Minimum outside radius of 6'
- Freestanding walls up to 28"
- Engineered 90° corners
- Gravity walls up to 3 feet\* using a ½ inch setback per unit (4 degree system batter)
- Reinforced walls up to 8 feet

### 🧩 TANDEM CONNECTOR COMPONENTS



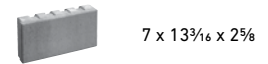
### 🧩 TANDEM MODULAR BLOCK COMPONENTS



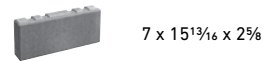
\*Gravity wall heights are based on project specific conditions and may be lower than this value.  
Check with your local Belgard Representative for product availability and color options.

### 🧱 SHAPES & SIZES

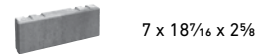
#### UNIT 1



#### UNIT 2



#### UNIT 3



#### TANDEM® CAP UNIT



#### MODULAR BLOCK



#### 8" CONNECTING MEMBER



#### U-START BASE BLOCK®

