



# LAFITT TANDEM™

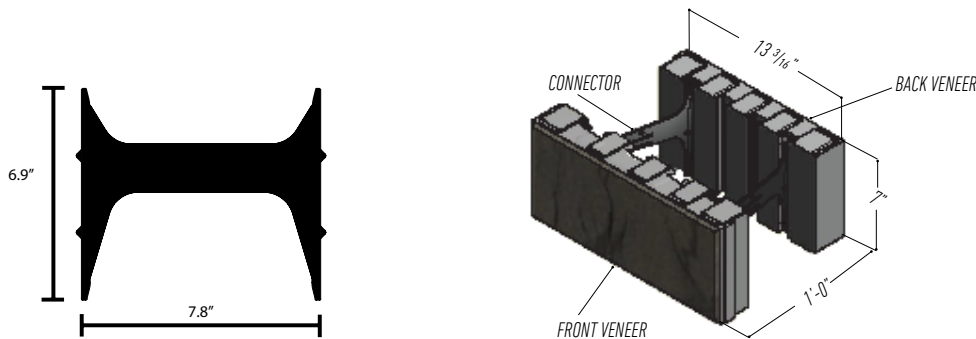
## WALL SYSTEM

INNOVATIVE, VERSATILE SYSTEM PROVIDES THE APPEARANCE OF NATURAL STONE THAT COMPLEMENTS ANY HARDSCAPE

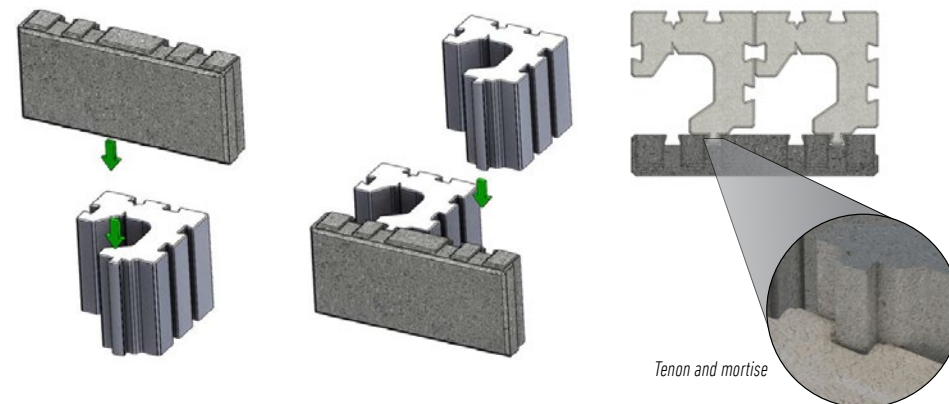
### FEATURES & BENEFITS

- Distinctive chiseled stone texture manufactured to consistent height tolerances
- Build curved or straight walls
- Offered in 3 sizes to allow for design versatility and customization
- Minimum outside radius of 6'
- Freestanding walls up to 28"
- Engineered 90° corners
- Gravity walls up to 3 feet\* using a ½ inch setback per unit (4 degree system batter)
- Reinforced walls up to 8 feet

### TANDEM CONNECTOR COMPONENTS



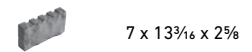
### TANDEM MODULAR BLOCK COMPONENTS



\*Gravity wall heights are based on project specific conditions and may be lower than this value.  
Check with your local Belgard Representative for product availability and color options.

### SHAPES & SIZES

#### UNIT 1



7 x 13<sup>3</sup>/<sub>16</sub> x 2<sup>5</sup>/<sub>8</sub>

#### UNIT 2



7 x 15<sup>1</sup>/<sub>16</sub> x 2<sup>5</sup>/<sub>8</sub>

#### UNIT 3



7 x 18<sup>7</sup>/<sub>16</sub> x 2<sup>5</sup>/<sub>8</sub>

#### TANDEM® CAP UNIT



15 x 24 x 3<sup>3</sup>/<sub>4</sub>

#### MODULAR BLOCK



7<sup>1</sup>/<sub>16</sub> x 7<sup>7</sup>/<sub>8</sub> x 7<sup>7</sup>/<sub>8</sub>

#### 8" CONNECTING MEMBER



#### U-START BASE BLOCK®



12 x 18<sup>7</sup>/<sub>16</sub> x 3<sup>1</sup>/<sub>2</sub>