



BACKED BY
ANCHOR
DIAMOND
INDUSTRY EXPERTS



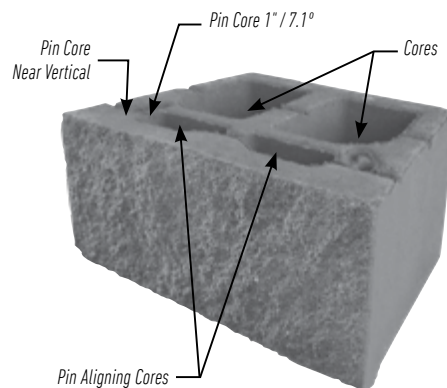
DIAMOND PRO PS

STRAIGHT FACE RETAINING WALL

SPLIT-STONE TEXTURE AND CLEAN EDGES PROVIDE A COST-EFFECTIVE, CLASSIC LOOK FOR LARGE WALLS

FEATURES & BENEFITS

- Pin system installation method
- Large cores for ease in handling
- Ease of installation with oversized pin aligning cores
- Pin cores allow for multiple batter options
- Builds walls in excess of 50 feet when combined with geosynthetic reinforcement
- One square foot of wall face per block
- Gravity walls can be built up to 4 feet high*, including the buried course, with 7.1 degree batter
- Minimum outside radius, measured on the top course to the front of the units: 4 feet
- Minimum inside radius, measured on the base course to the front of the units: 6 feet
- Setback/System Batter: Near Vertical and 1"/7.1°; additional system batter can be created by alternating pin placement on each course of wall



*Gravity wall heights are based on project specific conditions and may be lower than this value.
Check with your local Belgard Representative for product availability and color options.

SHAPES & SIZES

BLOCK



8 x 18 x 12

ANCHOR™ PINS



5" L x 0.5" Diameter

CAP



4 x 17 1/4" / 12 x 10 3/8"

CORNER



8 x 18 x 9