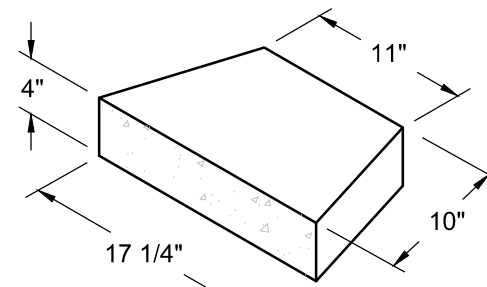
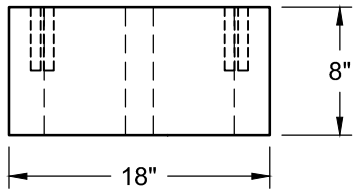


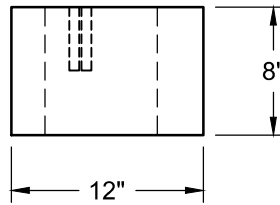
TOP VIEW



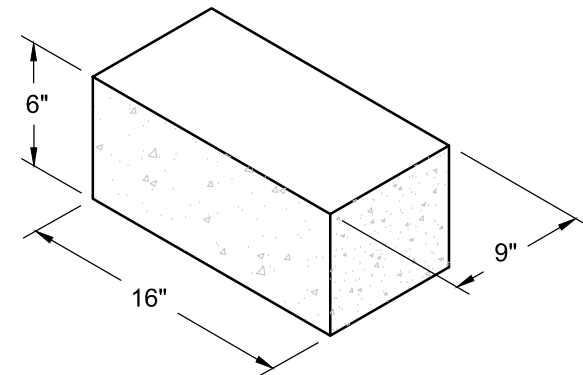
CAP UNIT
(MAY VARY BY MANUFACTURER)



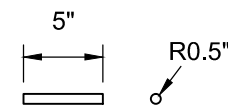
FRONT VIEW



SIDE VIEW



CORNER UNIT
(MAY VARY BY MANUFACTURER)



FIBERGLASS PIN



© 2016 Anchor Wall Engineering, LLC
© and ™ Anchor Wall Systems, Inc.
www.anchorwall.com

This drawing is for illustrative purposes only and should not be used for construction without the signature of a registered professional engineer.

Diamond Pro® PS Straight Face Retaining Wall System

Individual Block Details

Scale: None	Drawn by: SB
Date: 6/23/2016	Drawing number: DPPSST01