

SCOUR PROTECTION AS REQUIRED. USE RIP-RAP OR CONCRETE SLAB IN OUTLET AREA (DESIGNED BY OTHERS)

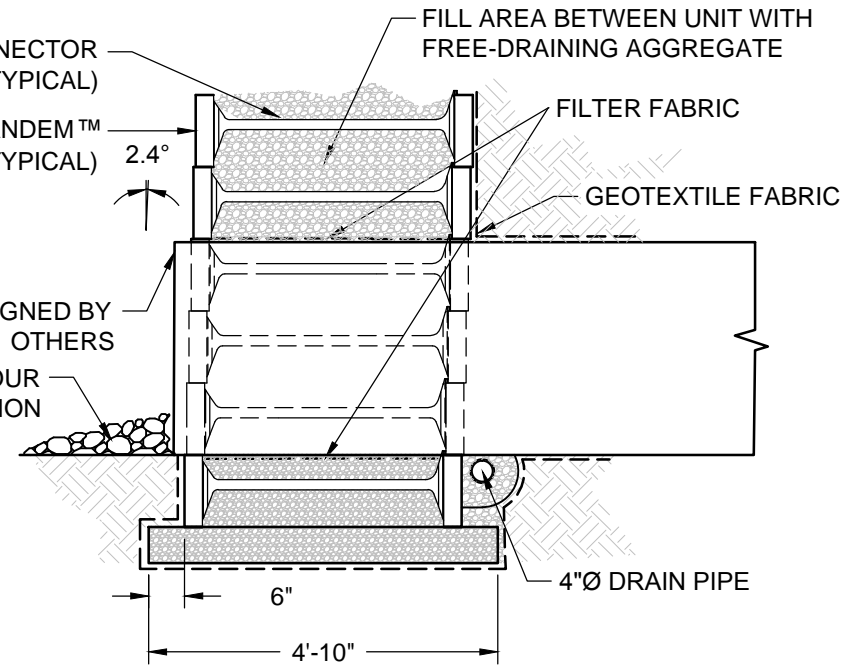
SAW-CUT UNITS TO WITHIN 1/2" OF BOX CULVERT

4-FT CONNECTOR SHOWN (TYPICAL)

MEGA-TANDEM™ FACING UNIT (TYPICAL)

BOX CULVERT DESIGNED BY OTHERS

SCOUR PROTECTION



6"  
4'-10"



belgard.com  
877-235-4273  
details@belgard.com

This drawing is for illustrative purposes only and should not be used for construction without the signature of a registered professional engineer.

MEGA-TANDEM™  
BOX CULVERT THROUGH WALL FACE

Scale:	None	Drawn by:	LM
Date:	2/24/2016	Drawing number:	MT24