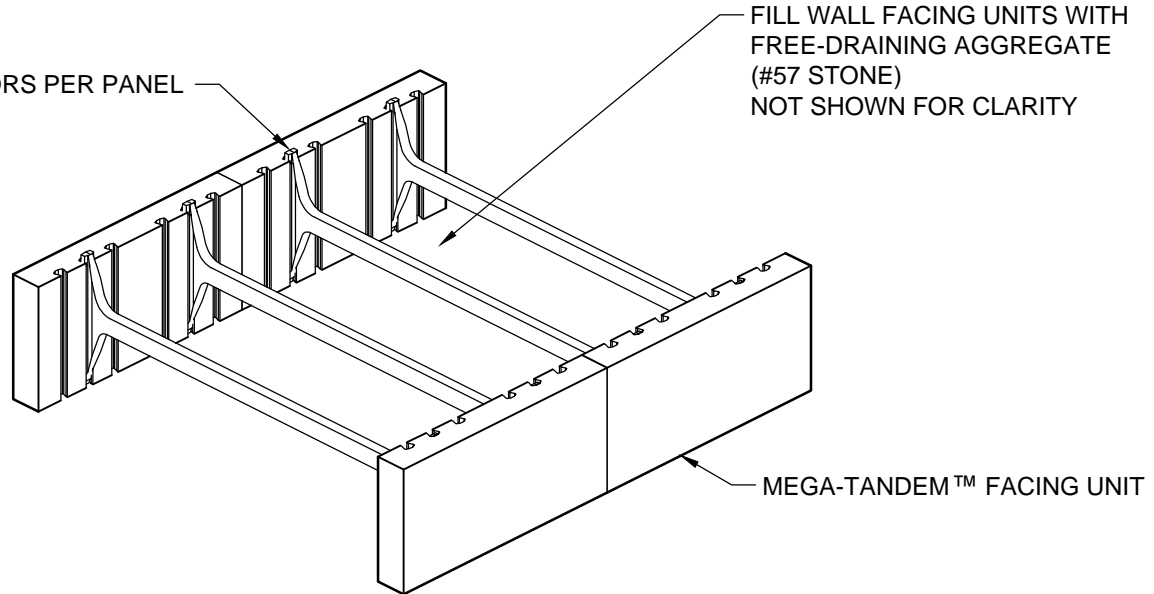


MINIMUM OF 2 CONNECTORS PER PANEL



FILL WALL FACING UNITS WITH  
FREE-DRAINING AGGREGATE  
(#57 STONE)  
NOT SHOWN FOR CLARITY

MEGA-TANDEM™ FACING UNIT



belgard.com

877-235-4273

details@belgard.com

This drawing is for illustrative purposes only  
and should not be used for construction  
without the signature of a registered  
professional engineer.

## MEGA-TANDEM™ UNIT CONNECTION DETAIL

Scale:

None

Date:

2/24/2016

Drawn by:

LM

Drawing number:

MT13