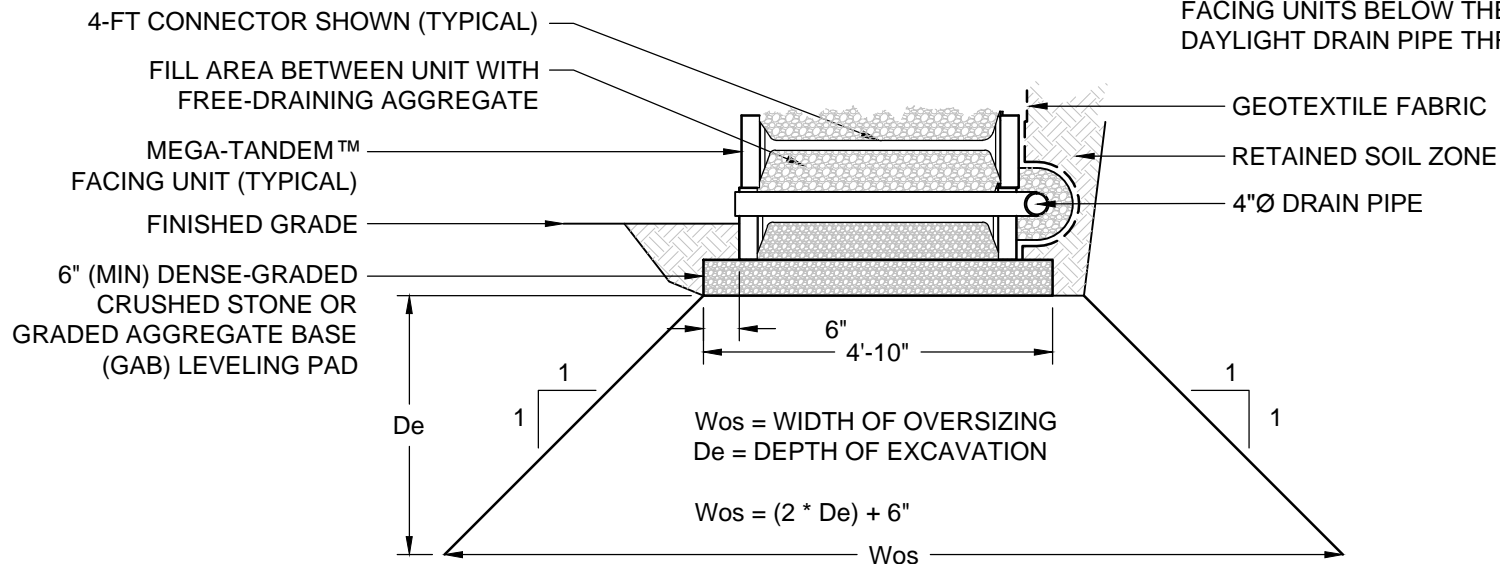


PLACE DENSE GRADED CRUSHED STONE OR GRADED AGGREGATE BASE (GAB) BETWEEN FACING UNITS BELOW THE FINISHED GRADE TO DAYLIGHT DRAIN PIPE THROUGH WALL FACE.



belgard.com  
877-235-4273  
details@belgard.com

This drawing is for illustrative purposes only and should not be used for construction without the signature of a registered professional engineer.

MEGA-TANDEM™

TYPICAL EXCAVATION OVERSIZING SECTIONS

Scale:	None	Drawn by:	LM
Date:	2/24/2016	Drawing number:	MT08