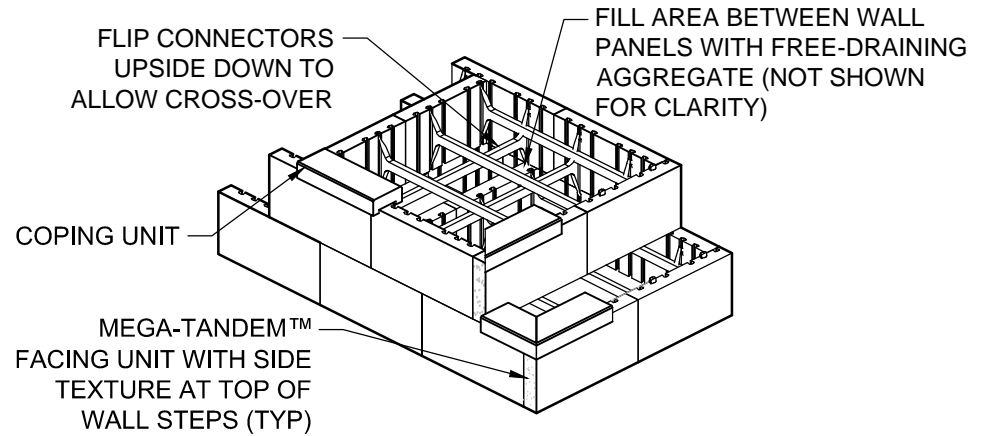
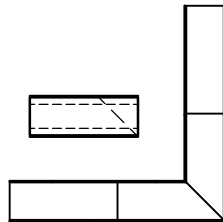


CUT TAPER AS
NEEDED TO
ACHIEVE DESIRED
CURVE

INSIDE CURVE

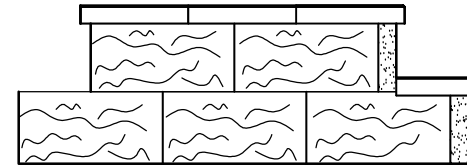


ISOMETRIC VIEW



SAW CUT 45°
MITERED JOINTS IN
COPING AS REQUIRED

CORNER



WALL FACE

1. ALWAYS START CAPPING WALL FROM THE LOWEST ELEVATION.
2. LAY OUT CAPS PRIOR TO USING ADHESIVE.
3. CUT CAPS TO FIT AS NECESSARY.
4. USE EXTERIOR-GRADE CONSTRUCTION ADHESIVE TO SECURE CAPS.



belgard.com
877-235-4273
details@belgard.com

This drawing is for illustrative purposes only
and should not be used for construction
without the signature of a registered
professional engineer.

MEGA-TANDEM™
CAPPING DETAIL

Scale:	None	Drawn by:	LM
Date:	2/24/2016	Drawing number:	MT02