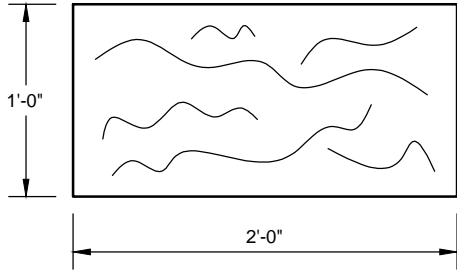
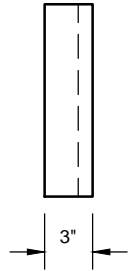


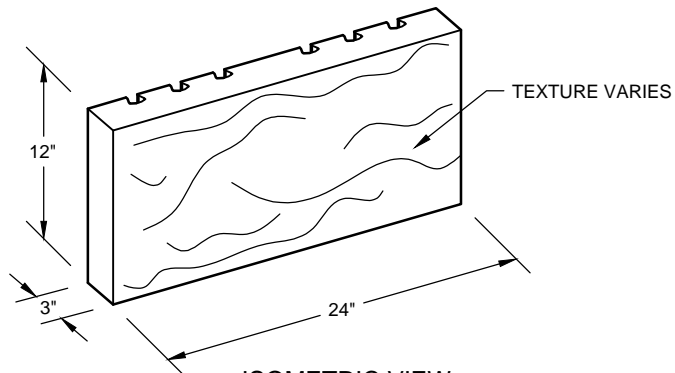
TOP VIEW



FACE VIEW

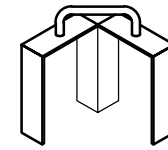


SIDE VIEW

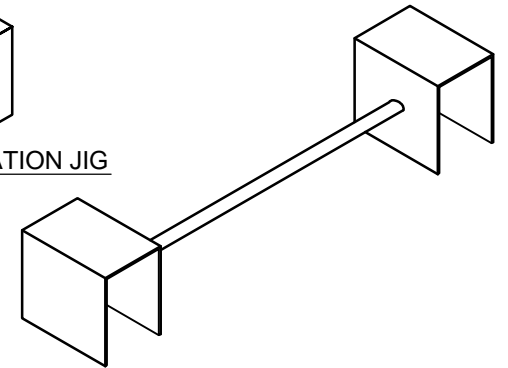


ISOMETRIC VIEW

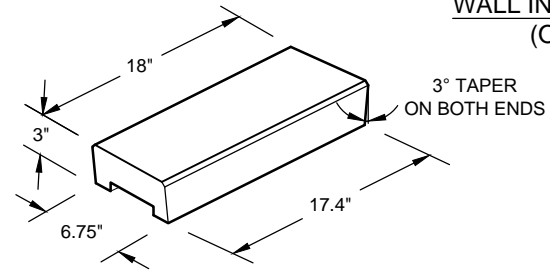
MEGA-TANDEM™ FACE PANEL



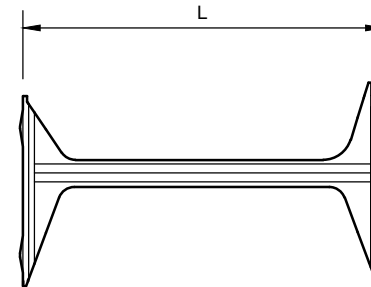
CORNER INSTALLATION JIG



WALL INSTALLATION JIG (OPTIONAL)



COPING UNIT



CONNECTING MEMBER SIDE VIEW

2-FOOT CONNECTOR:
L = 22-5/16"
4-FOOT CONNECTOR:
L = 41-5/16"



belgard.com
877-235-4273
details@belgard.com

This drawing is for illustrative purposes only and should not be used for construction without the signature of a registered professional engineer.

MEGA-TANDEM™
MSRW COMPONENT DETAILS

Scale:	None	Drawn by:	LM
Date:	2/24/2016	Drawing number:	MT01