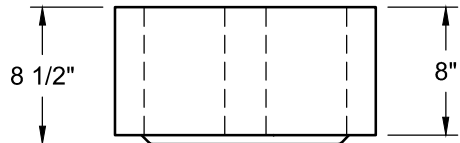
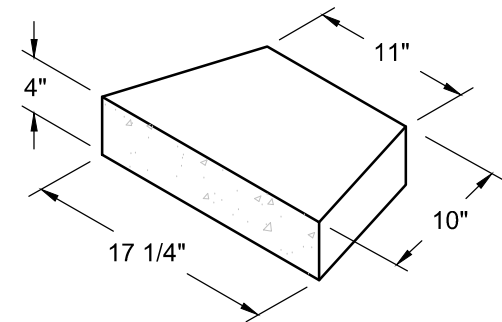
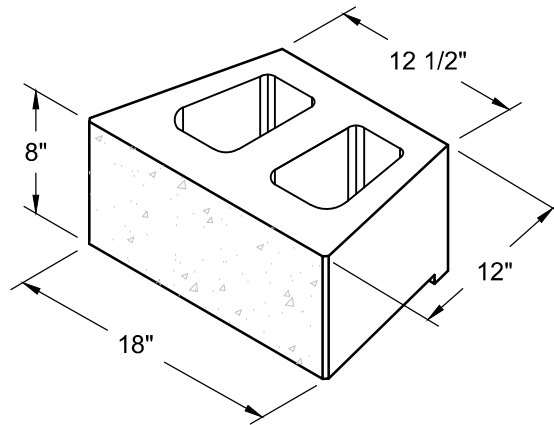
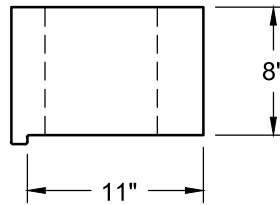


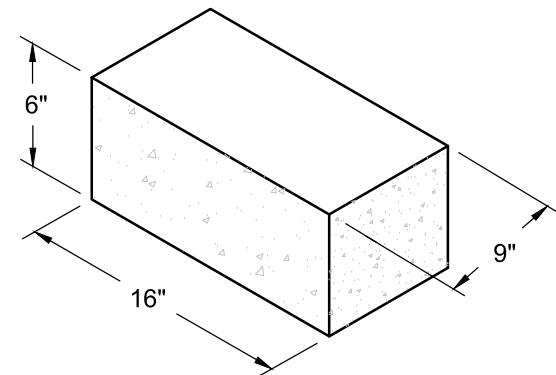
TOP VIEW



FRONT VIEW



SIDE VIEW



© 2016 Anchor Wall Engineering, LLC
 © and ™ Anchor Wall Systems, Inc.
www.anchorwall.com

This drawing is for illustrative purposes only and should not be used for construction without the signature of a registered professional engineer.

Diamond Pro® Straight Face Retaining Wall System

Individual Block Details

Scale:
 3/8" = 1'-0"

Drawn by:
 SB

Date:
 1/19/2016

Drawing number:
 DPST01