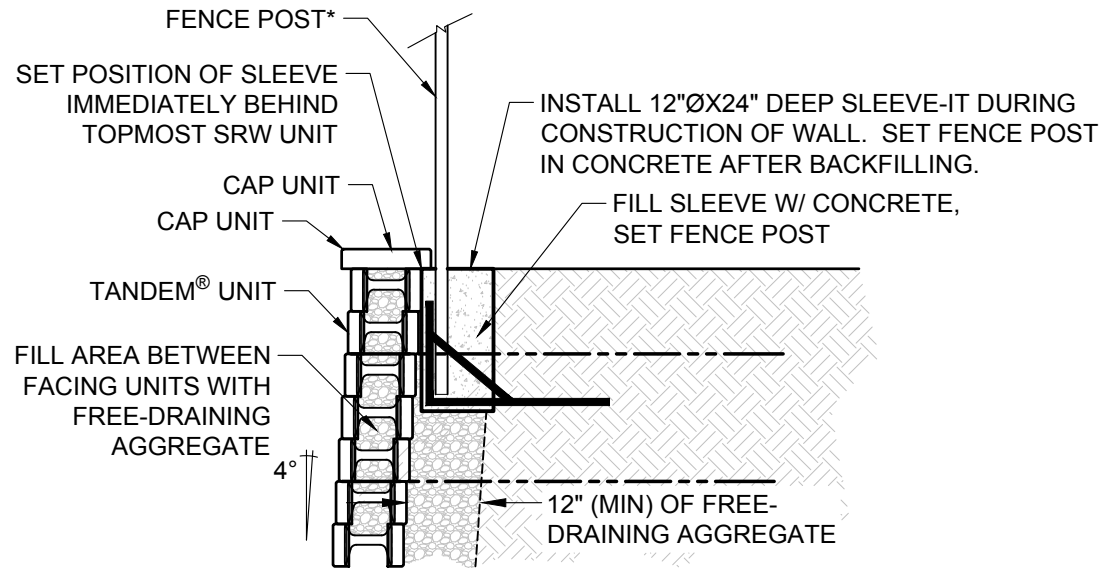


FOR MORE INFORMATION CONTACT: ADVANCED  
 HARDSCAPE SOLUTIONS LLC  
 1-866-843-0500 OR INFO@ADVANCEDHARDSCAPE.COM



\*FENCING SYSTEMS APPROVED FOR USE WITH SLEEVE-IT ARE LIMITED TO THE FOLLOWING HEIGHTS:

- A. CHAIN LINK UP TO 8 FEET ABOVE FINISHED GRADE WITH POST SPACING OF 8 FEET (MIN)
- B. ORNAMENTAL (STEEL, ALUMINUM, WROUGHT IRON) POST UP TO 6 FEET ABOVE GRADE WITH POST SPACING OF 10 FEET (MIN)
- C. OPEN BOARD / GAP BOARD (70% OPEN) POST UP TO 6 FEET ABOVE FINISHED GRADE WITH POST SPACING OF 6 FEET (MIN)



BELGARD

belgard.com  
 877-235-4273  
 details@belgard.com

This drawing is for illustrative purposes only and should not be used for construction without the signature of a registered professional engineer.

## Tandem® Retaining Wall System

### Alternate Fence Cross Section

Scale:	Drawn by:
3/8" = 1'-0"	SB
Date:	Drawing number:
4/1/2016	TDRE10