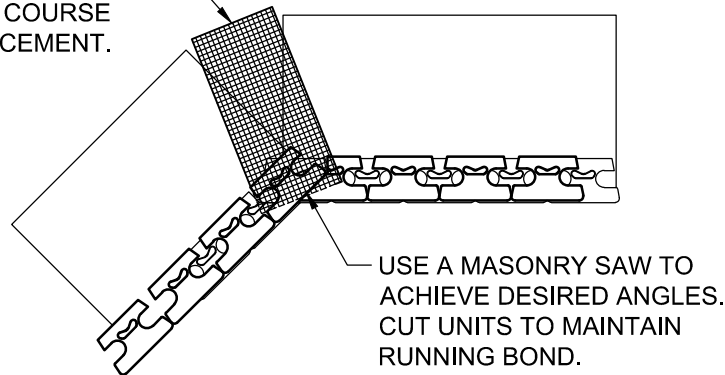


COURSE A

PLACE ADDITIONAL PANEL AT CORNER TO PROVIDE 100% GEOGRID COVERAGE OF REINFORCED FILL. THIS PANEL SHOULD BE PLACED ONE COURSE ABOVE MAIN REINFORCEMENT.



COURSE B

NOTE:
 FREE-DRAINING AGGREGATE (NOT SHOWN) TO SPAN 10 FT. ALONG THE WALL FACE AND TO THE BACK OF THE REINFORCED ZONE



© 2015 Anchor Wall Engineering, LLC
 © and ™ Anchor Wall Systems, Inc.
www.anchorwall.com

This drawing is for illustrative purposes only and should not be used for construction without the signature of a registered professional engineer.

Vertica Stone Cut® Retaining Wall System

Inside Angles

Scale:
 1/4" = 1'-0"

Drawn by:
 JB

Date:

Drawing number:
 VTCR32