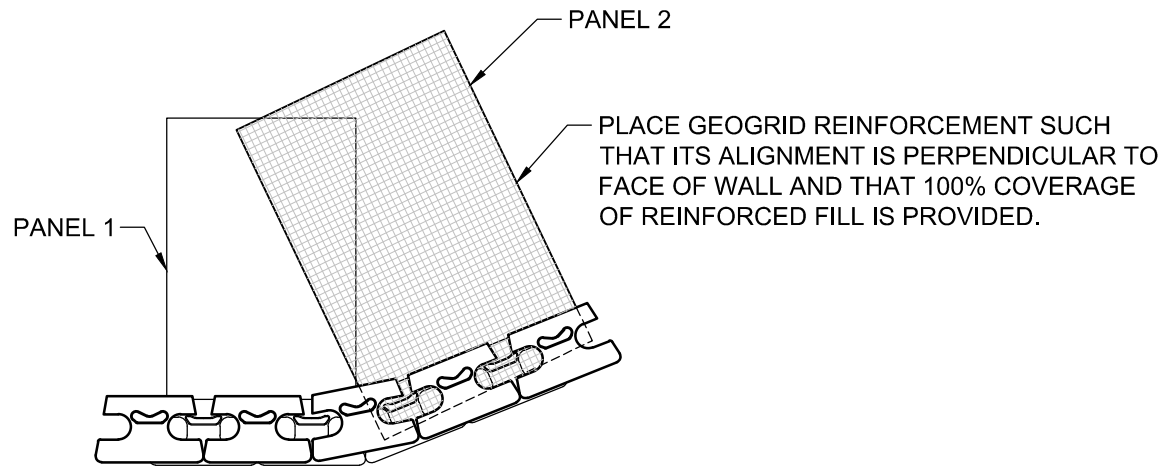


COURSE A



COURSE B

PLACE GEOGRID REINFORCEMENT SUCH THAT ITS ALIGNMENT IS PERPENDICULAR TO FACE OF WALL AND THAT 100% COVERAGE OF REINFORCED FILL IS PROVIDED.

NOTES:

1. ALTERNATE COURSES "A" & "B" AS NEEDED TO FULL HEIGHT OF WALL.
2. MODIFY UNITS AS NEEDED TO MAINTAIN RUNNING BOND.
3. ADHERE ALL PARTIAL UNITS WITH CONSTRUCTION GRADE ADHESIVE.
4. ADJUST PLACEMENT IN FIELD TO ACHIEVE DESIRED ANGLE
5. FREE-DRAINING AGGREGATE (NOT SHOWN) TO SPAN 10 FT. ALONG THE WALL FACE AND TO THE BACK OF THE REINFORCED ZONE



© 2015 Anchor Wall Engineering, LLC
 © and ™ Anchor Wall Systems, Inc.
www.anchorwall.com

This drawing is for illustrative purposes only and should not be used for construction without the signature of a registered professional engineer.

Vertica Stone Cut® Retaining Wall System

Outside Angles

Scale:
3/8" = 1'-0"

Drawn by:
JB

Date:

Drawing number:
VT-CR31