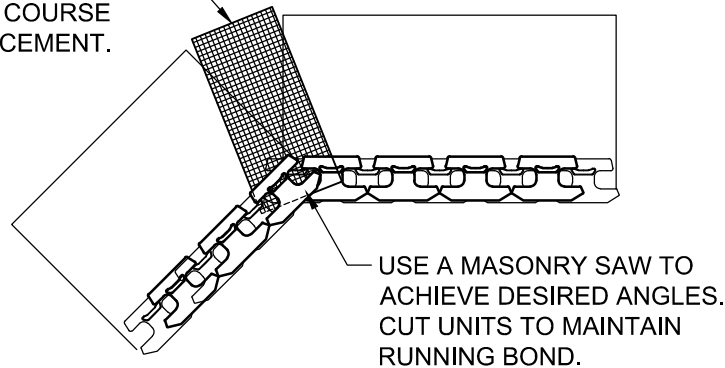


COURSE A

PLACE ADDITIONAL PANEL AT CORNER TO PROVIDE 100% GEOGRID COVERAGE OF REINFORCED FILL. THIS PANEL SHOULD BE PLACED ONE COURSE ABOVE MAIN REINFORCEMENT.



COURSE B

**NOTE:**  
 FREE-DRAINING AGGREGATE (NOT SHOWN) TO SPAN 10 FT. ALONG THE WALL FACE AND TO THE BACK OF THE REINFORCED ZONE



© 2015 Anchor Wall Engineering, LLC  
 © and ™ Anchor Wall Systems, Inc.  
[www.anchorwall.com](http://www.anchorwall.com)

This drawing is for illustrative purposes only and should not be used for construction without the signature of a registered professional engineer.

## Vertica® Beveled Face Retaining Wall System

### Inside Angles

Scale:  
 1/4" = 1'-0"

Drawn by:  
 JB

Date:  
 1/19/2016

Drawing number:  
 VTBV32